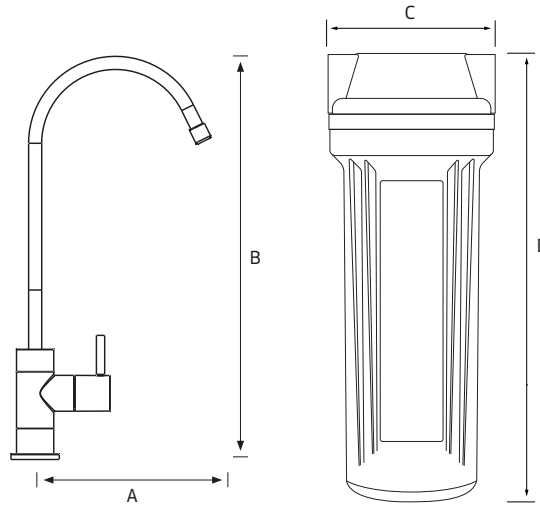




+SIB1 depicted (no pressure limiting valve). To order with pressure limiting valve, order code SIB1-PL.



FAUCET

A	B
122 mm	292 mm

HOUSING

C	D
170 mm	330 mm



GENERAL INFO

DESIGNED FOR MAINS / TOWN WATER

Undersink Filter System with Long Reach Faucet

The Puretec SIB1 Series provides clear, great tasting water, removing chlorine, harmful chemicals, taste, odour, sediment, Giardia and Cryptosporidium cysts.

SPECIFICATIONS

Model Number:	SIB1	SIB1-PL
Pressure Limiting Valve:	Not Included	Included
Replacement Cartridge:	EC951	EC951
Min/Max Flow:	0 - 7 Lpm	0 - 7 Lpm
Min/Max Temperature:	0 - 45 °C	0 - 45 °C
Min/Max Pressure:	100 - 500~ kPa	100 - 500~ kPa
Micron Rating:	0.5 micron*	0.5 micron*
Connection:		
Hose:	¼" Quick Connect	¼" Quick Connect
Tee:	½" BSP (15 mm)	½" BSP (15 mm)
Tap Hole:	12.5 mm	12.5 mm
Warranty:	1 year^	1 year^

FEATURES & BENEFITS

- Compact design saves space.
- Do-it-yourself cartridge change out.
- Removes sediment, taste, odour, chlorine, giardia, cryptosporidium and heavy metals.
- Ideal to use in town and rural water supplies.
- 1 year warranty^.

*Important Note: Use only genuine Puretec replacement cartridge. ^1 year warranty is 1 year parts and labour. Excludes cartridges. *Micron Rating is nominal. Protect from freezing. ~Where line pressure exceeds 500 kPa, an approved pressure limiting device must be installed to comply with Australian & New Zealand Plumbing Standards. (Ref. AS/NZS 3500.1:2021, Clause 3.3.4).*

For more information contact your local stockist or visit us at puretecgroupp.com
Australia **1300 140 140** | New Zealand **0800 130 140**